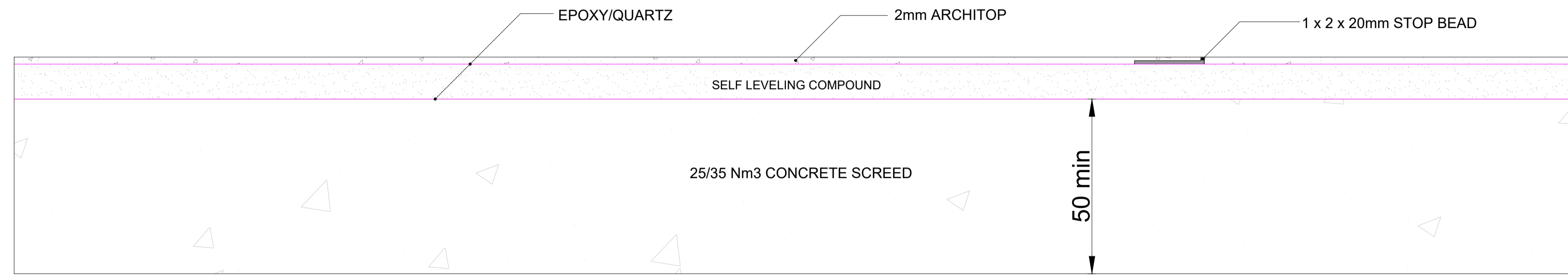
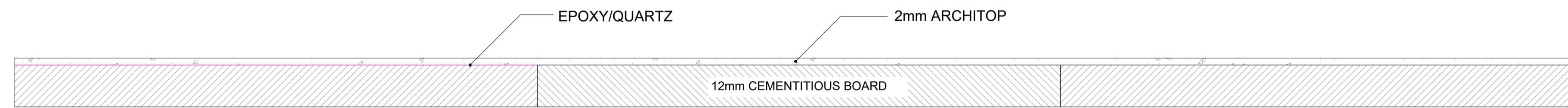


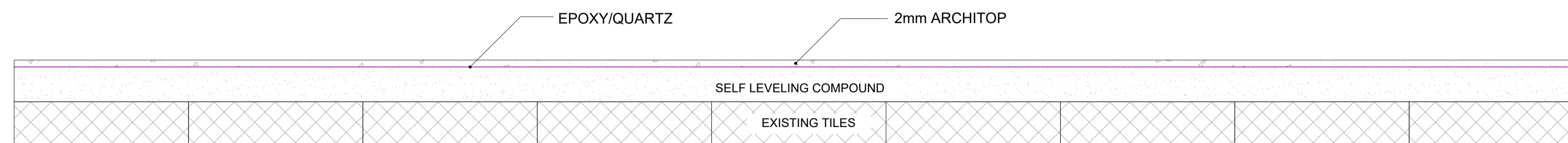
# DETAIL 01



# DETAIL 02



# DETAIL 03



Unit 1,  
 Victoria Road Industrial Estate,  
 North Acton,  
 London W3 6UU  
 info@lazenby.co.uk

**lazenby**  
 iconic polished concrete  
 flooring and surfaces

<https://www.lazenby.co.uk>

Project							
Description		Date	Revision				
Title		Sheet Size	Stage	Purpose			
Architop DETAILS 1 - 2 - 3		A1		For information			
Date		Scale NOT TO SCALE					
Project	Sub Project	Originator	Zone	Level	Type	Role	Number